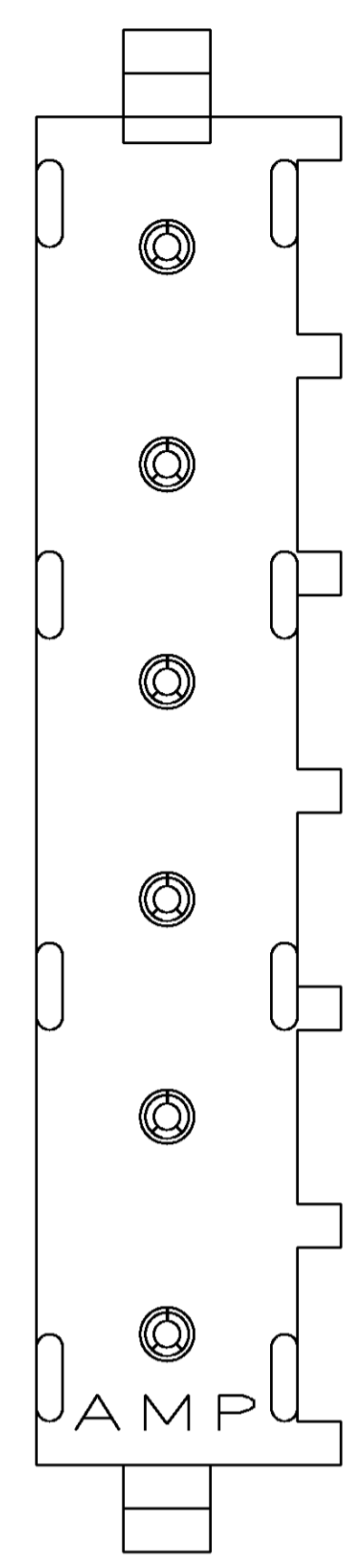
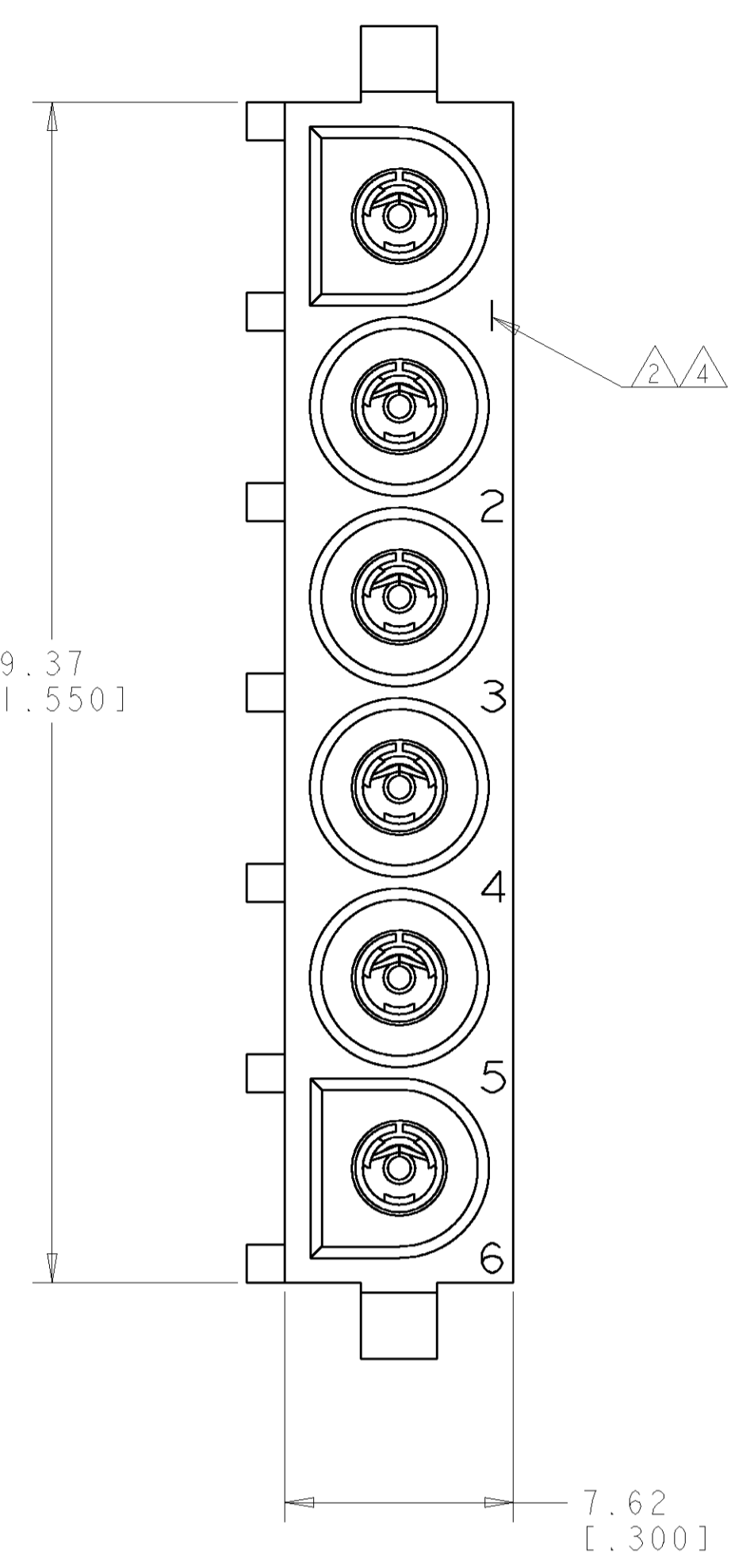
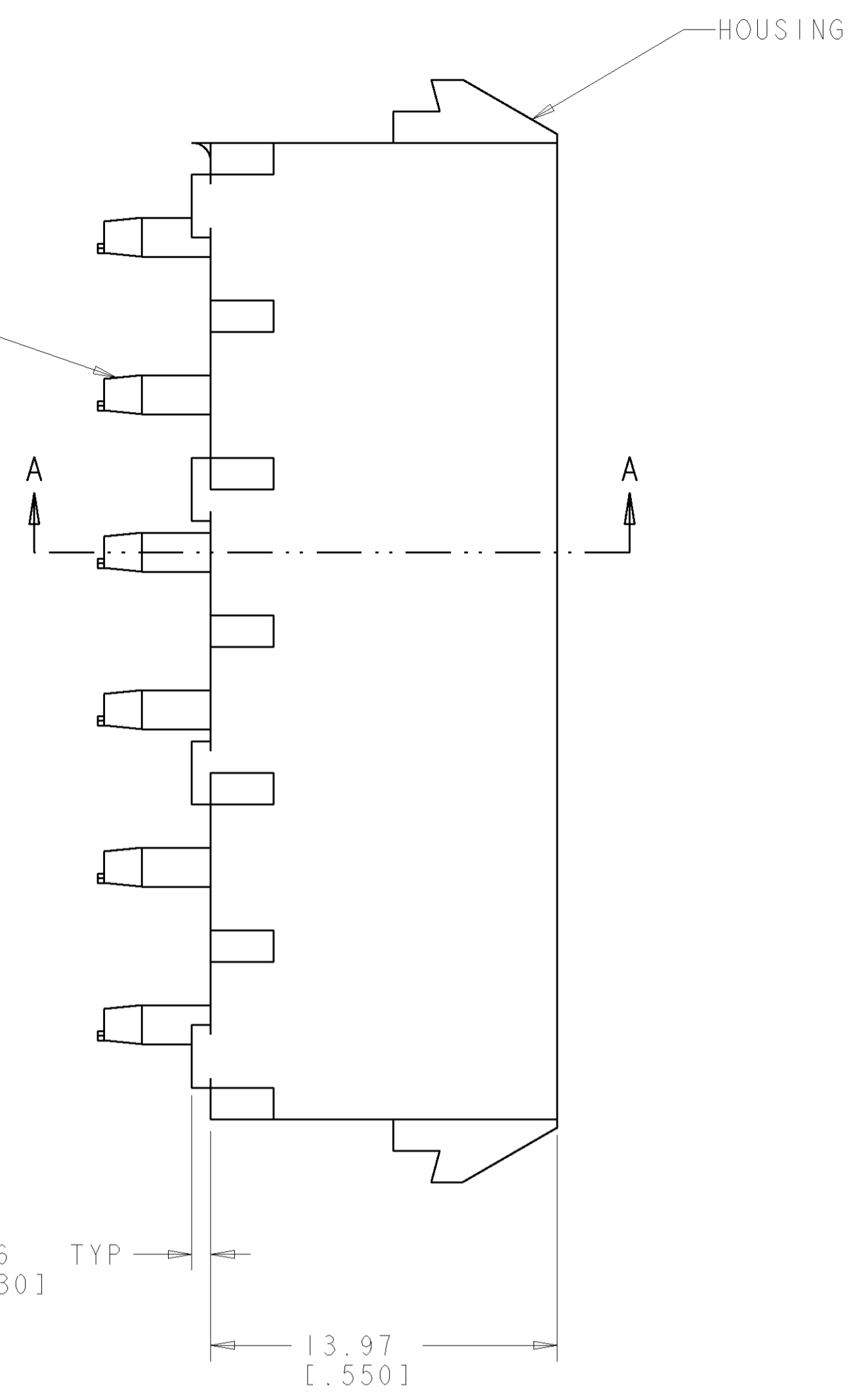


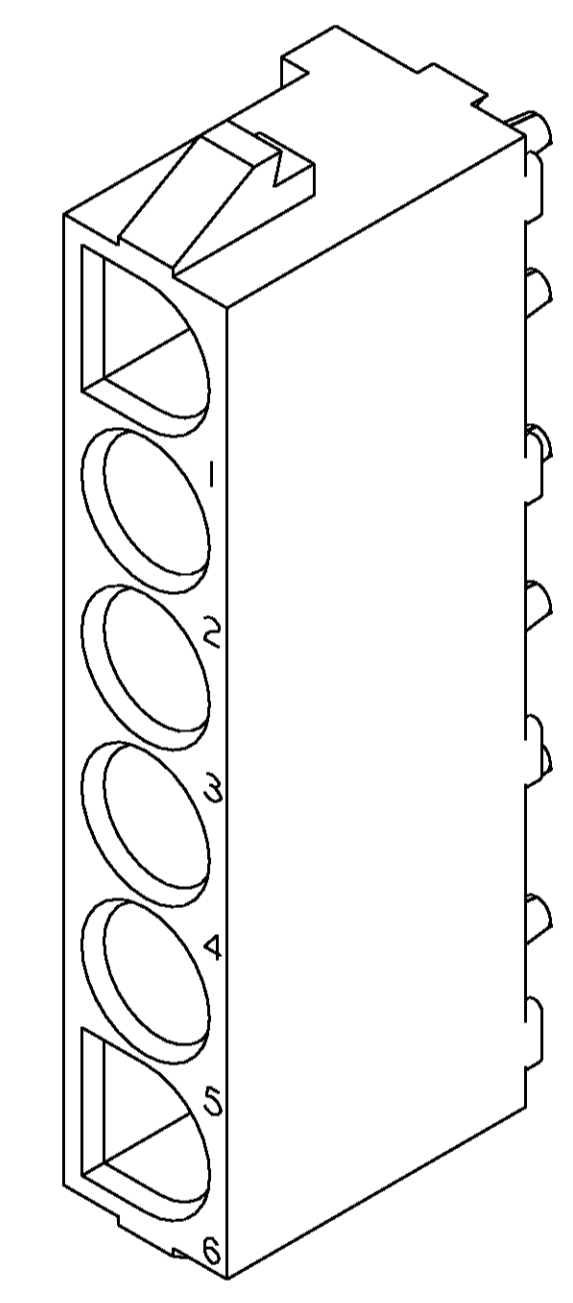
LOC	DIST	REVISIONS				
CM	00	F. LTR	DESCRIPTION	DATE	DWN	APVD
		0	REVISED PER 0638-0087-04	27APR04	KW	SR



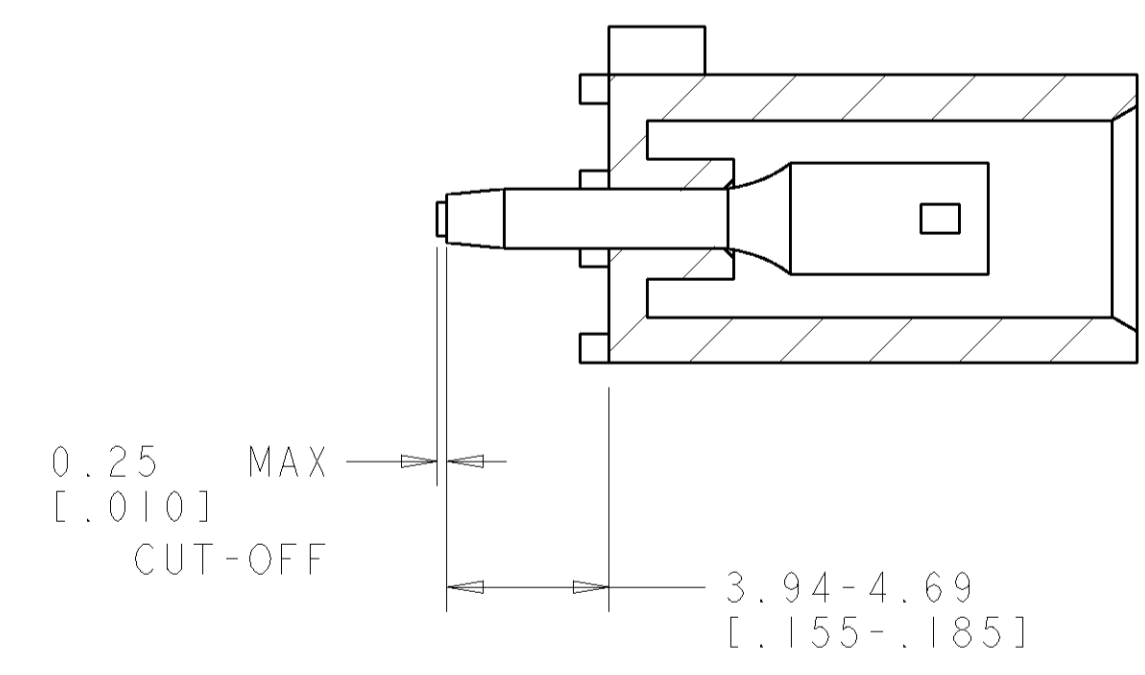
CONTACT
6 REQ'D



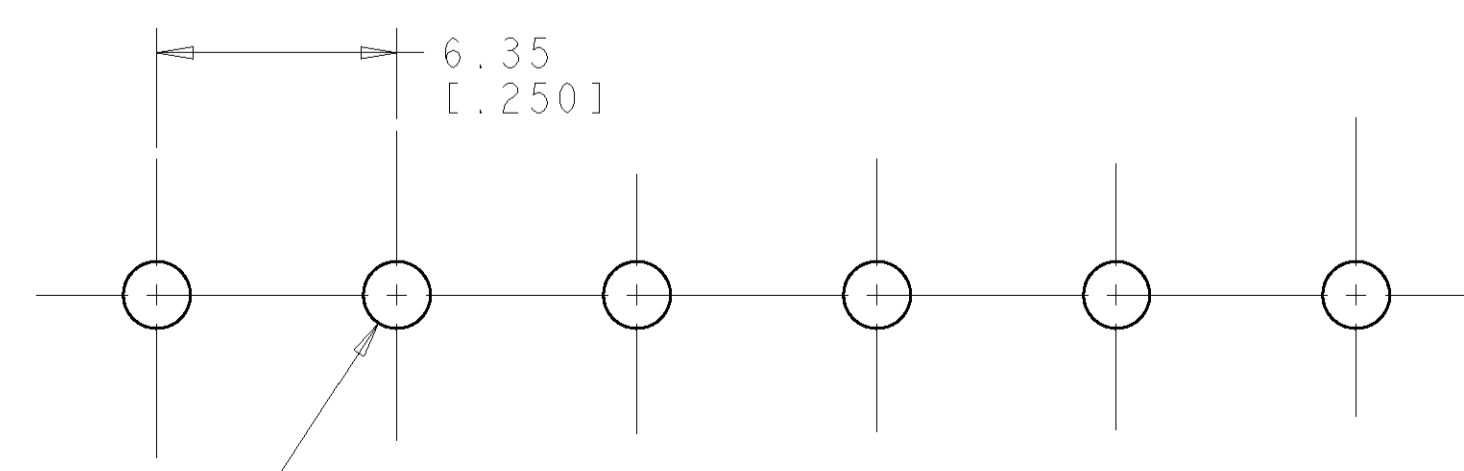
- PARTS COMPLY TO AMP SOLDERABILITY SPECIFICATION 109-11-3.
- CIRCUIT IDENTIFICATION CHARACTERS ARE ADJACENT TO THE INDICATED CAVITIES, BUT LOCATION AND ORIENTATION MAY DIFFER FROM PRINT.
- DIMENSIONS IN BRACKETS ARE IN INCHES.
- IDENTIFICATION WILL APPEAR AT CIRCUIT NO. 1, OTHERS OPTIONAL.



SCALE 4:1



SECTION A-A



$\phi 1.78 \pm 0.07$
[0.070 ± 0.003]
6 PLC

RECOMMENDED MOUNTING HOLE PATTERN
FOR 1.57 [0.062] THICK P.C. BOARD

PHOSPOR BRONZE, PRE-TIN PIN CONTACT MATERIAL AND FINISH		NYLON, UL94V-2, NATURAL HOUSING MATERIAL AND COLOR		1586202-1 PART NUMBER
DIMENSIONS: mm [INCHES] 		TOLERANCES UNLESS OTHERWISE SPECIFIED: 0 PLC ± 1 PLC ±0.13 [0.005] 2 PLC ± 3 PLC ± 4 PLC ± ANGLES ±0°30'		DWN R. WHITAKER 27APR04 CHK S. RIDGILL 27APR04 APVD S. RIDGILL 27APR04 NAME PRODUCT SPEC APPLICATION SPEC WEIGHT CUSTOMER DRAWING
MATERIAL SEE TABLE		FINISH SEE TABLE		Tyco Electronics Harrisburg, PA 17105-3608 Tyco Electronics SOCKET HEADER ASSEMBLY, 6 CIRCUIT INLINE, NO DRAIN HOLES, UNIVERSAL MATE-N-LOK™ SIZE CAGE CODE DRAWING NO. RESTRICTED TO A1 00779 C=1586202 - SCALE 5:1 SHEET 1 OF 1 REV 0

